

Pressure switches, Group 176-...-...

Version with screw-type terminal screwed directly into the tubing.

Circuit closer (NO type) Order No.	Circuit opener (NC type) Order No.	Changeover Order No.	Rated switching pressure [bars]	Fig.
176-110-101	-	-	nonadjustable 0.2 ^{+0.2} _{-0.1}	3
176-110-100	176-120-100	-	0.5 ^{+0.3} _{-0.1}	3
176-110-102	176-120-102	-	1 ± 0.2	3
176-110-120	-	-	1.2 ± 0.5	3
176-110-200	176-120-200	-	2 ± 0.5	3
176-110-250	-	-	2.5 ± 0.5	3
176-110-300	-	-	3 ± 0.5	3
176-110-401	176-120-400	-	4 ± 0.5	3
176-110-450	-	-	4.5 ± 0.5	3
-	176-120-500	-	5 ± 0.5	3
176-110-800	176-120-800	-	8 ± 0.5	3
176-111-201	176-121-202	-	12 ^{+0.5} _{-1.5}	3
176-112-000	176-122-000	-	20 ± 1	3
176-112-200	-	-	22 ⁺² ₋₁	3
176-112-800	176-122-800	-	28 ⁺² ₋₁	3
176-114-500	176-124-500	-	45 ± 2	3

Version with tab connectors

176-120-101	nonadjustable 0.5 ^{+0.3} _{-0.1}	4
176-120-301	3 ± 0.5	4
176-120-801	8 ± 0.5	4
176-121-001	10 ± 1	4

Version with gold contacts

176-170-400	adjustable 1 to 10	5
176-175-000	10 to 50	5

*) bei 176-170-400 auf 4^{±5} und bei 176-175-000 auf 12^{±0.5}_{1.5} eingestellt

Technical data

Circuit closer / Circuit opener (NO type / NC type)

Contact load 30 VA
 Switching voltage, max 42 V
 Switching current, max 2.5 A
 Min. switching current with 12 V DC 50 mA
 Permissible operating pressure 50 bars
 with type 176-114-500 and 176-124-500 80 bars
 Rated switching pressure cf. table
 Type of contact NO or NC
 Switching frequency 60/min
 Mechanical service life 10⁶ switching operations
 Type of enclosure IP 65, IP 00 terminals
 Operating temperature, max +80 °C
 Fluids mineral oils and oiled compressed air
 Mounting position any
NB: overpressure safety P_{max} static: 300 bars
 P_{max} dynamic: 200 bars
 maximum pressure-change speed: 1 bar/msec
 vibration resistance: 10 g at 5-200 Hz sinusoidal

Changeover

Switching capacity gold contact 1W
 Switching voltage, min. / max 5 V DC / 24 V DC
 Switching current, min. / max 5 mA / 50 mA
 Rated switching pressure cf. table
 Release difference 20%
 Permissible operating pressure at 176-170-400: 100 bars
 at 176-175-000: 300 bars
 Type of contact changeover
 Switching frequency 200/min
 Mechanical service life 10⁶ operations
 Type of enclosure IP 65, terminals IP 00
 Operating temperature, max +80 °C
 Fluids mineral oils and oiled compressed air
 Mounting position any

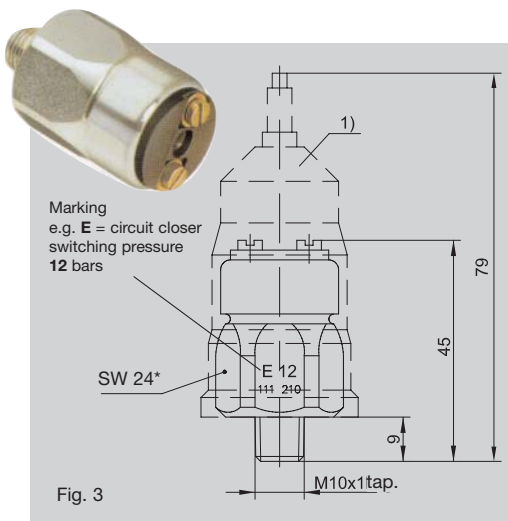


Fig. 3

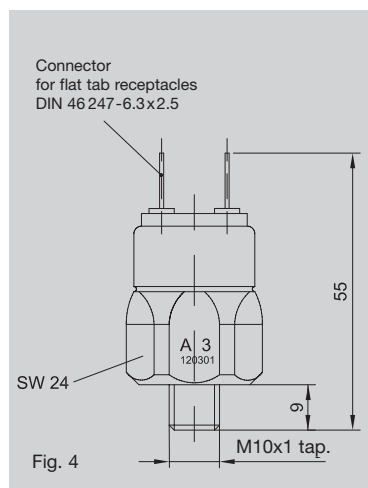


Fig. 4

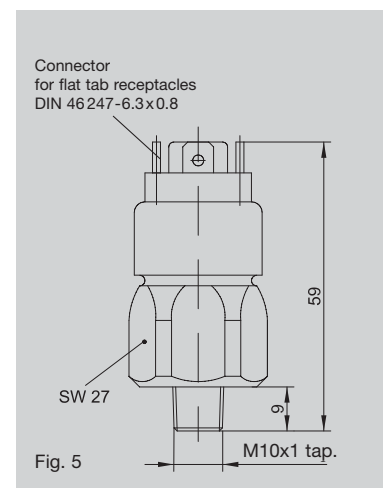


Fig. 5

1) Protective cap, order No. 898-420-001, has to be ordered separately

Please note: See leaflet 1-1730-US for respective sockets.