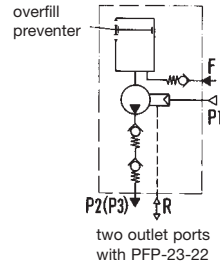


pneumatically actuated

Order No.	Number of outlet ports	Delivery rate (ccm) per port/stroke	
		P2	P3
PFP-23-2	1	1.25 **	2.5 *
PFP-23-22	2	1.25 **	1.25 **

- Reservoir capacity 1.5 kg
- Reservoir material acrylic glass
- Operating pressure as a function of the air pressure max. 190 bars
- Actuating pressure for pump 6 to 10 bars
- Actuating piston with resetting spring
- Area ratio: force/lubrication 20:1
- Lubricant grease up to NLGI grade 2
- Temperature range +10 °C to +60 °C
- Mounting position vertical

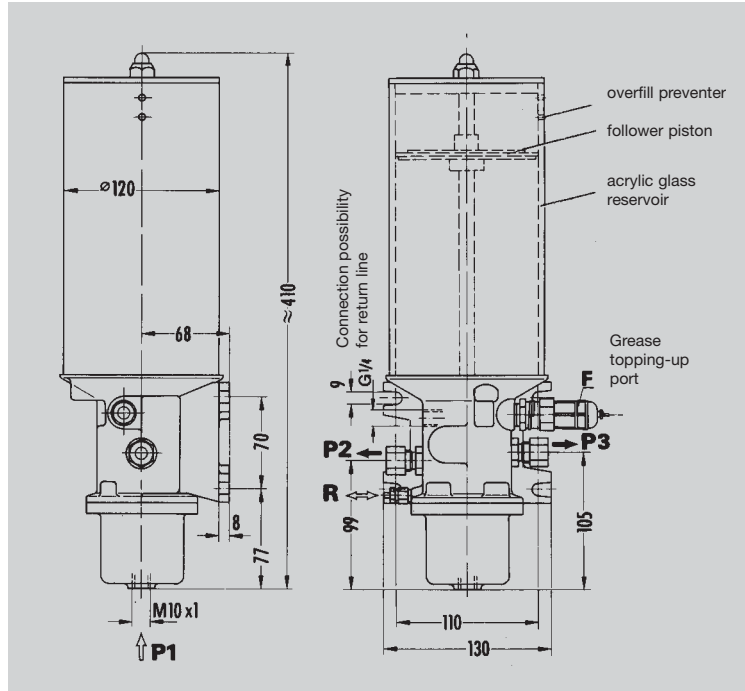


* optional with **P2** or **P3**

(one outlet port closed by plug)

** both outlet ports have to be used.

Use connection fittings with cutting-sleeve screw unions to DIN 2353.



P1 = pressurized oil or compressed-air port

P2, P3 = main line to system (ø 10 tube)

R = air compensation line

Grease topped up via port **F**

Order No. for coupling socket: **995-001-500**

Order No. for grease topping-up pump: **169-000-004**