

## DESCRIPTION

The AO-1 air operated pump is a positive displacement, single stroke pump that delivers 13 cm<sup>3</sup> (.80 in<sup>3</sup>). The AO-1 pump is controlled by a remote mounted 3-way air solenoid valve. (**Note:** Valve purchased separately) Activating this valve allows filtered, regulated, and lubricated air to move both the power piston and the lubricant piston. The resulting lubricant flow pressurizes the system mainlines causing the piston distributors to dispense a measured volume of lubricant to the bearing points. De-energizing the solenoid valve allows air pressure on the power piston to be exhausted which permits the piston return spring to move both the power piston and lubricant pistons back to the prime position. The built in vent valve is simultaneously released which vents mainline lubricant pressure allowing the piston distributors to re-prime for the next cycle.



## SPECIFICATIONS

Materials: ..... Metal and aluminum pump, nylon, or metal reservoir

Output (Max.): ..... 13 cm<sup>3</sup> (0.80in<sup>3</sup>) per stroke

Pump Pressure Ratio: ..... (lube out / air in) 4.5:1

Air Pressure: ..... 4-7 bar (60-100 psi)

Oil Viscosity: ..... ISO 50-1000 (250-5000 SUS)

Low Level Switch: ..... 10w @ 115/230 VAC, 5w @ 24 VDC, N.C. contacts

Off Time Between Cycles (Min.): ..... 15 seconds

On Time (Min.): ..... 5 seconds

**Note:** Due to the single stroke operation of this pump, total System Discharge Volume must not exceed 50% of pump delivery 6.5 cm<sup>3</sup> (0.40in<sup>3</sup>).

## DIMENSIONS

Reservoir Size Liters (Pints)	Dimensions [mm (inches)]					
	A	B	C	D	E	F
2 (4)	237.0 (9.33)	186.0 (7.32)	118.0 (4.65)	123.0 (4.84)	148.0 (5.83)	125.0 (4.92)
5 (10)	232.0 (9.13)	181.0 (7.13)	—	152.0 (5.98)	236.0 (9.29)	167.0 (6.57)

## ORDERING INFORMATION

PUMP PACKAGES		
Reservoir Size Liters (Pints)	Reservoir Material	Part Number
2 (4)	Plastic	126-400-100
5 (10)	Metal	126-400-130
SPARE PARTS		
Replacement Outlet Nut 6mm Tube		435-702-466
Replacement Outlet Ferrule 6mm Tube		435-702-421
Outlet Adapter M12x1 (M) to 1/4 NPTF (F)		435-702-471

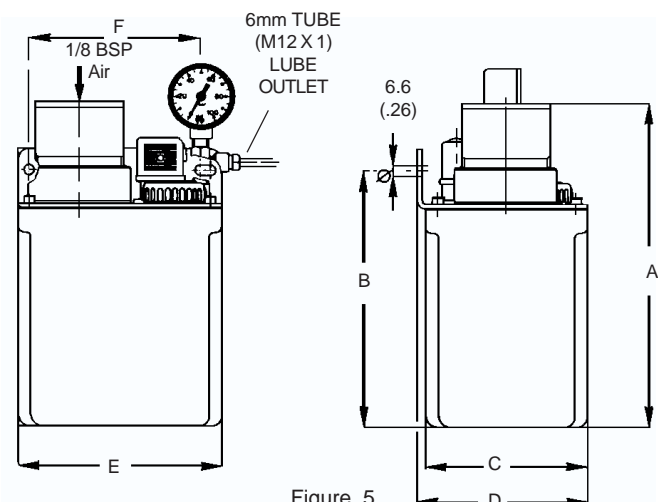


Figure 5